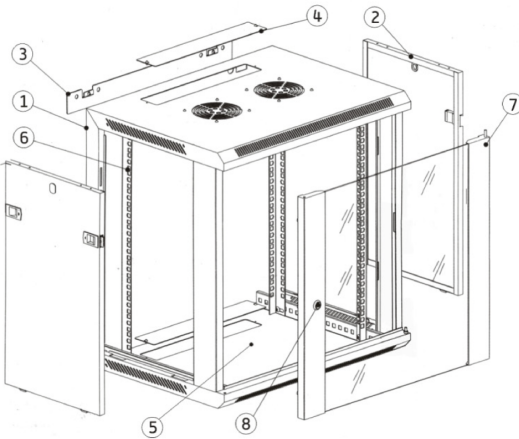


WALL MOUNTED NETWORK CABINETS



Main structure

- | | |
|-----------------|--------------------|
| 1. THE FRAME | 2. SIDE DOOR |
| 3. WALL BRACKET | 4. TOP COVER |
| 5. BOTTOM | 6. TRAIL |
| 7. FRONT DOOR | 8. FRONT DOOR LOCK |

Standards

- Comply with ANSI/EIA RS-310-D, IEC297-2, DIN41494; PART1, DIN41494; PART7, GB / T3047.2-92 Standard

Features

- Welded frame, reliable structure
- Max. loading 60kgs
- Standing or wall mounting installation
- Adjustable feet and heavy duty castors is optional
- Removable side panels, side locks optional
- Cable entry and optional cover to close offered on the roof and bottom
- Colors: Black or Grey

Main material

- SPCC cold rolled steel
- Thickness: mounting profile 2.0mm, mounting angle 1.5mm, others 1.2mm

Surface finish

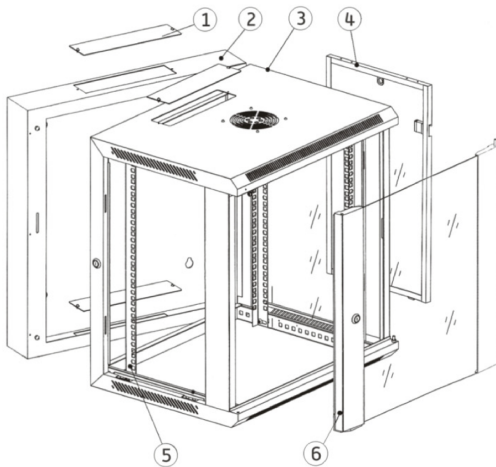
- Degreasing, pickling, phosphoric, powder coated

Accessories

- RV-B-1U250: 19" ventilated try / height: 1u / 250mm
- RV-B-1U350: 19" ventilated try / height: 1u / 350mm
- RV-COOL-1U: 1u FAN
- RV-PDU-6UT: 19" Power distribution unit / 6 ways, height: 1u
- RV-PDU-6U: 19" Power distribution unit / 6 ways, height: 1u / Protection: Air switch
- RV-O-1U: 19" cable management / 5 metal rings / Height: 1U
- RV-O-1U-TAP: 19" cable management / metal cover/ Height: 1U
- RV-O-2U-TAP: 19" cable management / metal cover / height: 2u
- RV-FC-1U: 19" Brush patch panel / 1U
- RV-TORN-50U: 50 sets M6 screws

Model	Capacity (U)	Width (mm)	Depth (mm)	Height (mm)	Package Volume
RV-M-6U450	6	600	450	368	0.1211
RV-M-9U450	9	600	450	501	0.1603
RV-M-12U450	12	600	450	635	0.1998
RV-M-15U450	15	600	450	769	0.2421

WALL MOUNTED NETWORK CABINETS



Main structure

1. THE TOP COVER FOR THE BACK SECTION
2. THE TOP COVER FOR THE FRONT SECTION
3. THE TOP
4. SIDE DOOR
5. TRAIL
6. FRONT DOOR

Standards

- Comply with ANSI/EIA RS-310-D, IEC297-2, DIN41494; PART1, DIN41494; PART7, GB/T3047.2-92 Standard

Features

- Welded frame, reliable structure
- Designed for double section
- Max. loading 60kgs
- Standing or wall mounting installation
- Adjustable feet and heavy duty castors is optional
- Removable side panels, side locks optional
- Cable entry and optional cover to close offered on the roof and bottom
- Colors: Black or Grey

Main material

- SPCC cold rolled steel
- Thickness: mounting profile 2.0mm, mounting angle: 1.5mm, others: 1.2mm

Surface finish

- Degreasing, pickling, phosphoric, powder coated

Accessories

- RV-B-1U250: 19" ventilated try / height: 1u / 250mm
- RV-B-1U350: 19" ventilated try / height: 1u / 350mm
- RV-COOL-1U: 1u FAN
- RV-PDU-6UT: 19" Power distribution unit / 6 ways, height: 1u
- RV-PDU-6U: 19" Power distribution unit / 6 ways, height: 1u / Protection: Air switch
- RV-O-1U: 19" cable management / 5 metal rings / Height: 1U
- RV-O-1U-TAP: 19" cable management / metal cover/ Height: 1U
- RV-O-2U-TAP: 19" cable management / metal cover / height: 2u
- RV-FC-1U: 19" Brush patch panel / 1U
- RV-TORN-50U: 50 sets M6 screws

Model	Capacity (U)	Width (mm)	Depth (mm)	Height (mm)	Package Volume
RV-MP-6U550	6	600	550	368	0.1462
RV-MP-9U550	9	600	550	501	0.1937
RV-MP-12U550	12	600	550	635	0.2448
RV-MP-15U550	15	600	550	769	0.2923